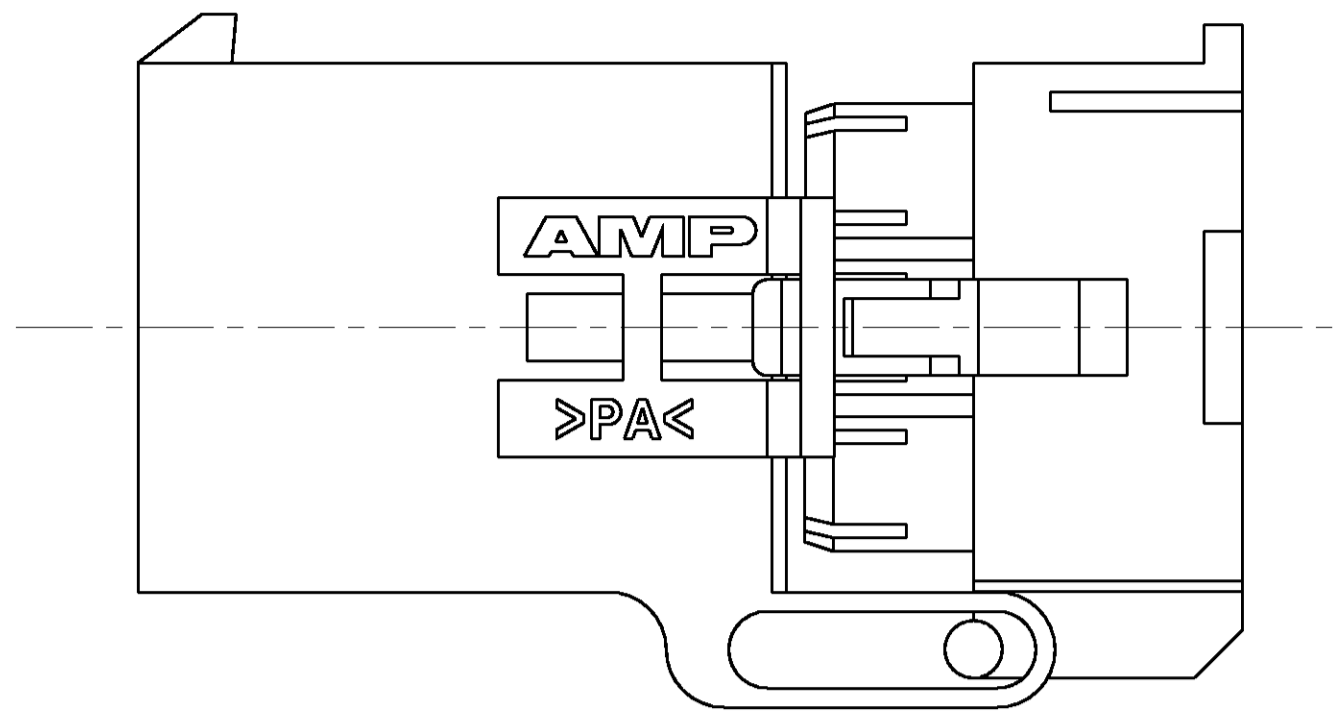
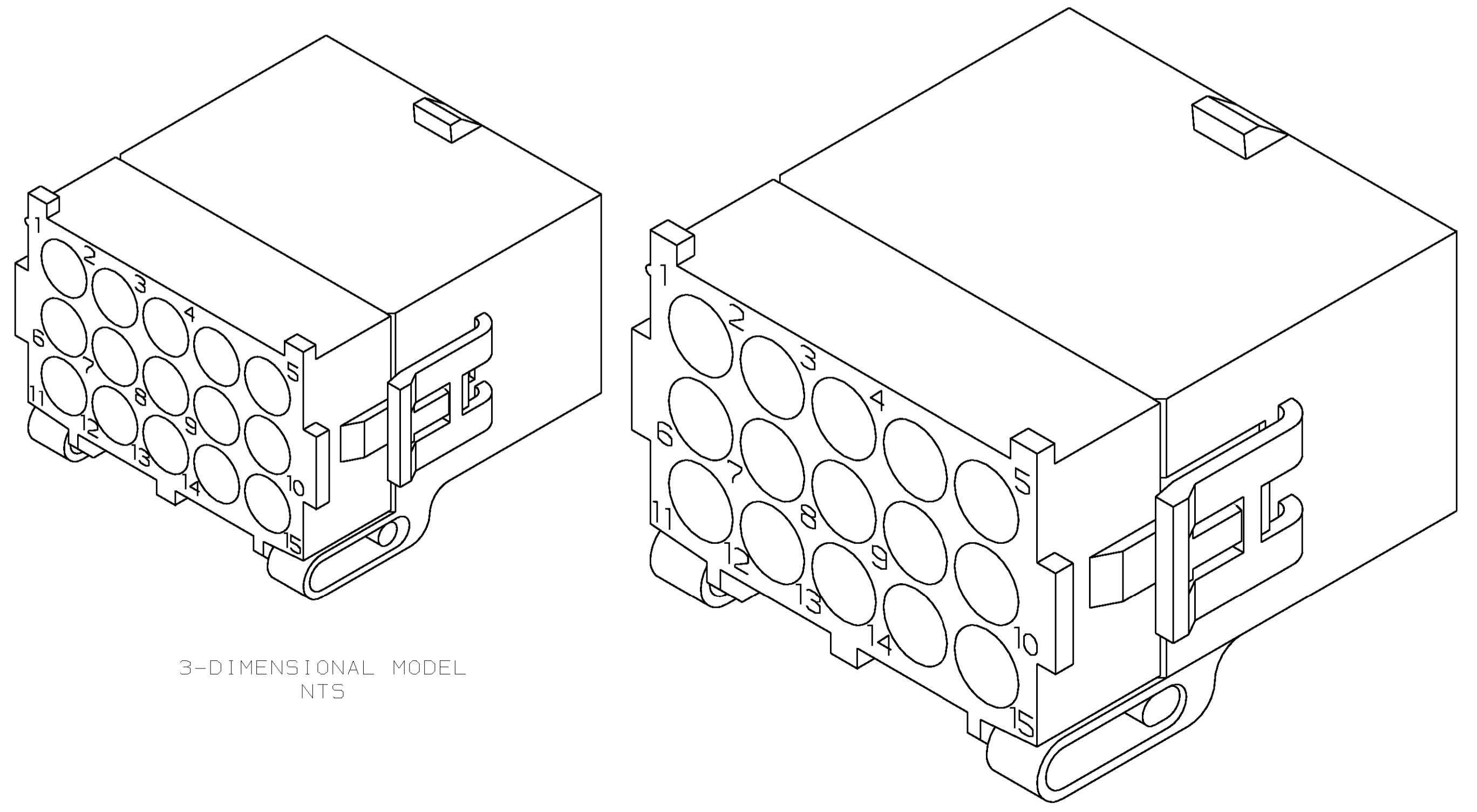
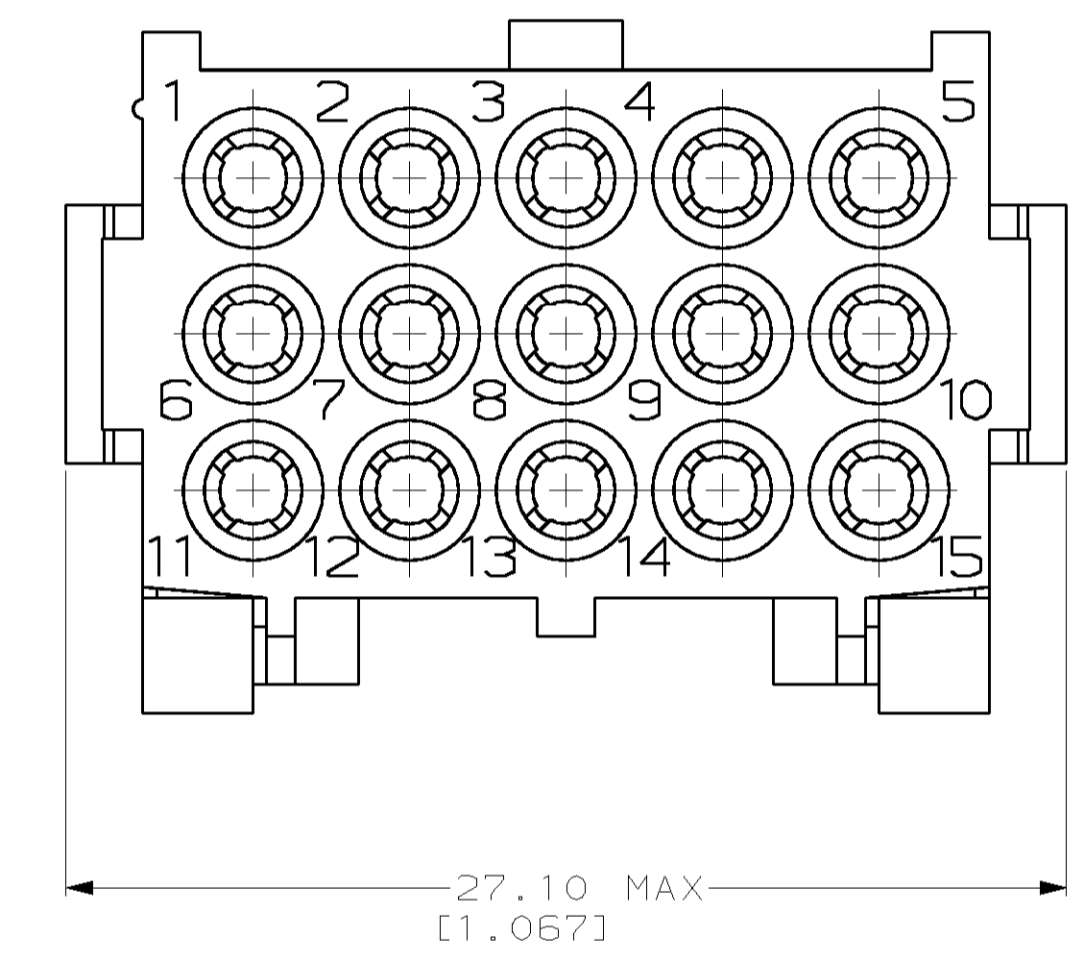
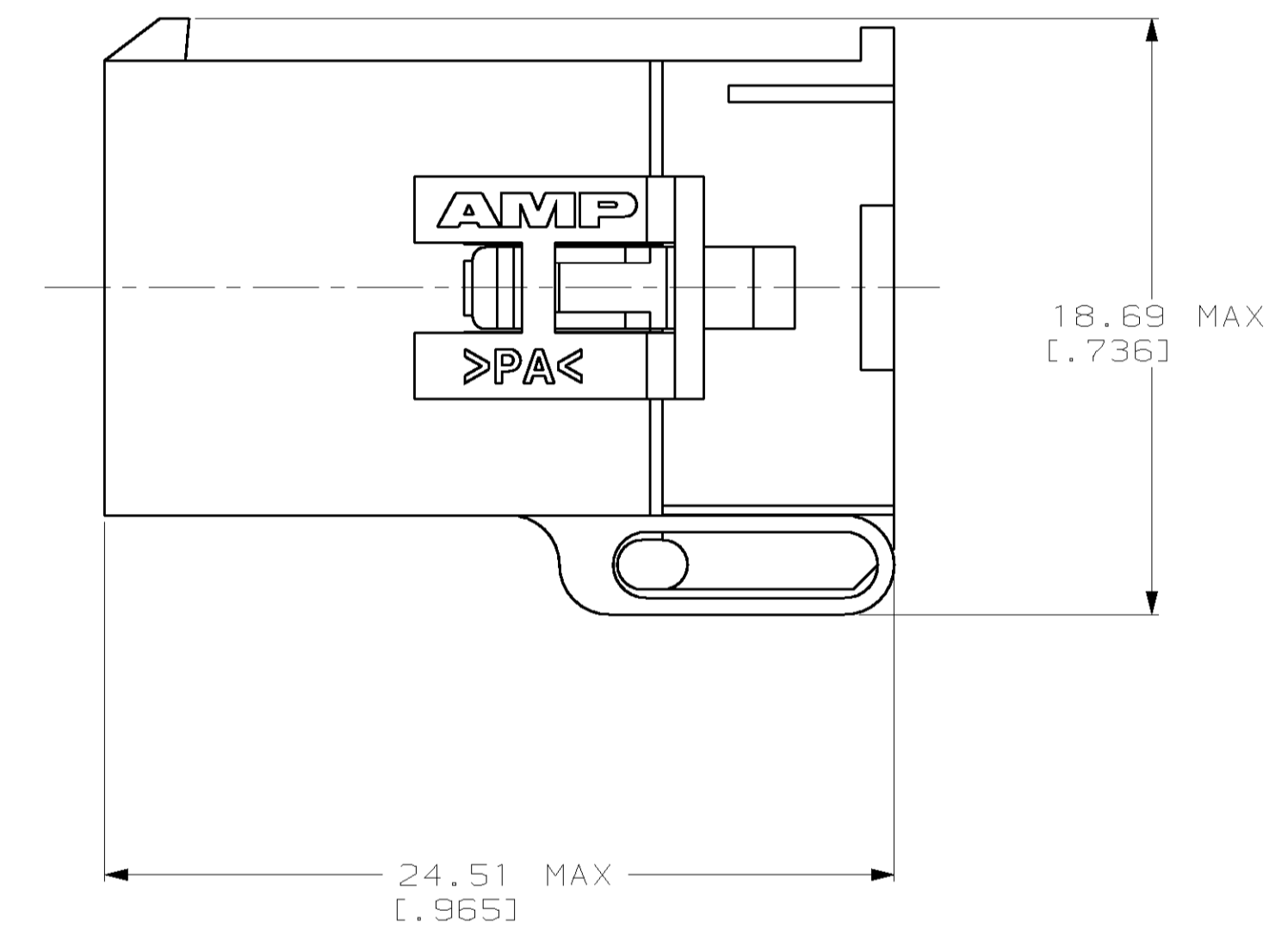
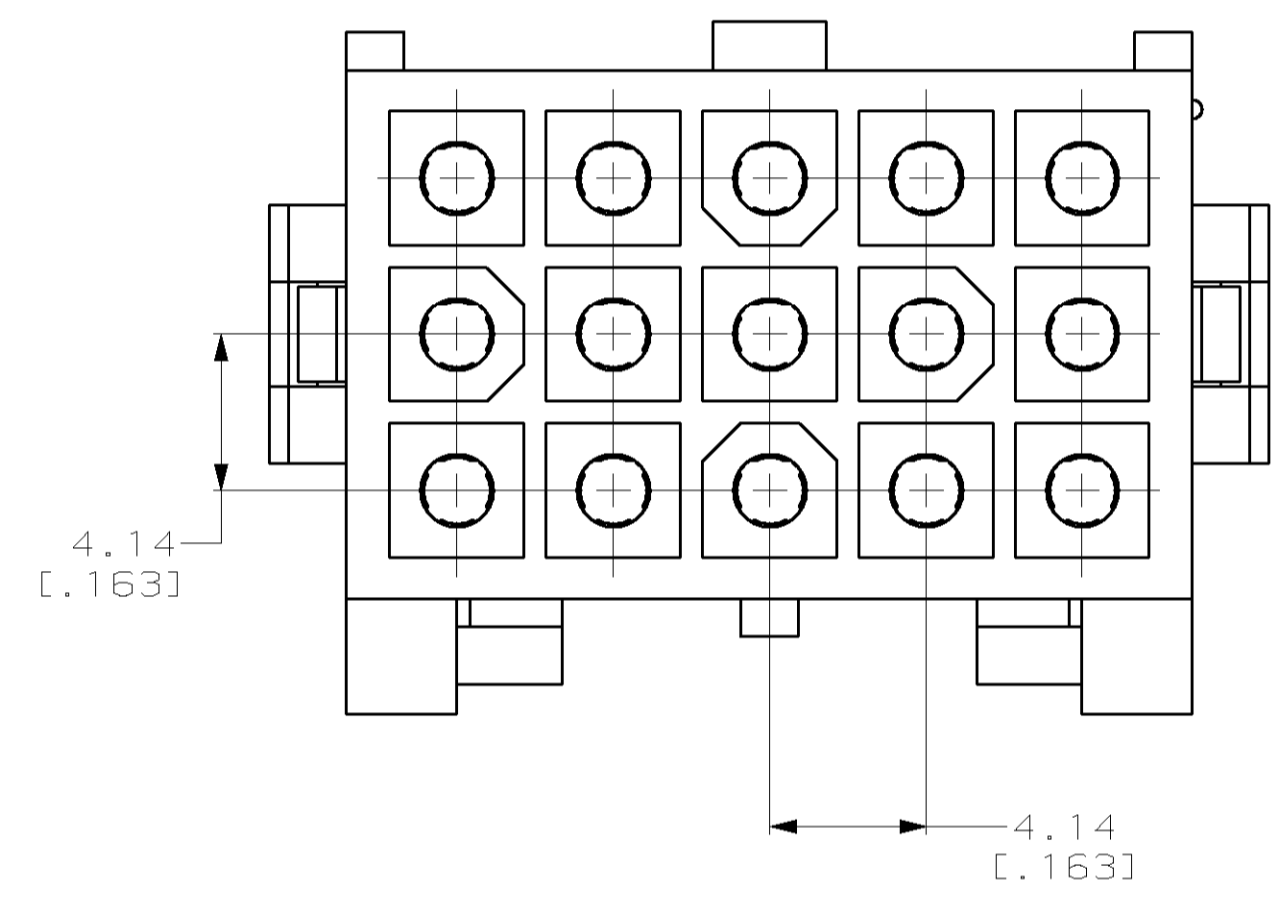


LOC		DIST		REVISIONS			
F	CHR	DATE	BY	APPROV	DESCRIPTION	DATE	BY
A		23-SEP-99	KW	KC	REV PER EC 061B-0094-99		



PRE-STAGED CONDITION

1. DIMENSIONS IN BRACKETS ARE IN INCHES.



3-DIMENSIONAL MODEL
NTS

794205-1
PART NUMBER

METRIC

THIS DRAWING IS A CONTROLLED DOCUMENT.		DWN K. WHITAKER	5-16-97		AMP Incorporated Harrisburg, PA 17105-3608	
DIMENSIONS:		CHK R. SWING	5-16-97		NAME	CAP, 15 CIRCUIT, MINI UNIVERSAL MATE-N-LOK™ 2
TOLERANCES UNLESS OTHERWISE SPECIFIED:		APP'D S. ORSTAD	5-16-97		PRODUCT SPEC	
mm					APPLICATION SPEC	
0 PLC	±			SIZE	A1	
1 PLC	±			CAGE CODE	00779	
2 PLC	±0.13 (.005)			DRAWING NO	C-794205	
3 PLC	±			RESTRICTED TO		
4 PLC	±			SCALE	5:1	
ANGLES	±			SHEET	1 OF 1	
	±			REV	A	
MATERIAL	NYLON, UL 94V-0, NATURAL	FINISH		CUSTOMER DRAWING		